



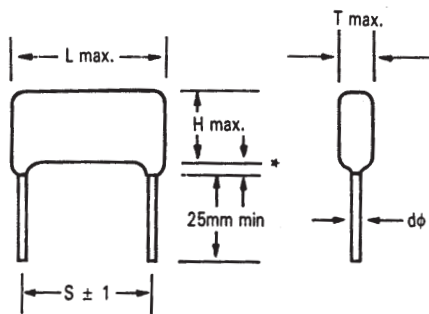
EPOXY COATED, NON-INDUCTIVE, METALLIZED FILM CAPACITORS, RADIAL LEAD

FEATURES

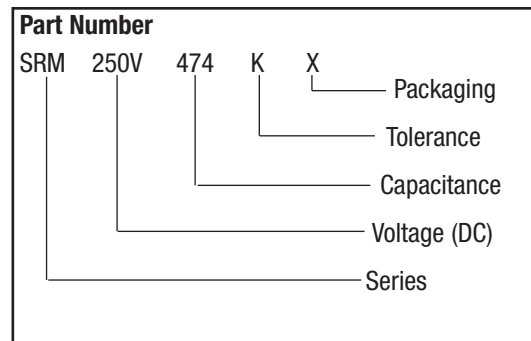
- VERY SMALL SIZE, HIGHLY RELIABLE BECAUSE OF ITS SELF-HEALING PERFORMANCE
- COATED WITH EOPXY RESIN FOR SUPERIOR HEAT RESISTANCE, HUMIDITY RESISTANCE AND SOLVENT RESISTANCE
- RECOMMENDED FOR USE WITH FILTERING, DC BLOCKING, AND COUPLING COMMUNICATIONS EQUIPMENT.

SPECIFICATIONS

OPERATING TEMPERATURE RANGE	-55°C to +125°C with voltage derating
RATED VOLTAGE (DC)	50V, 400V, 630V
CAPACITANCE RANGE	0.01 to 4.7 MFD
CAPACITANCE TOLERANCE	±10% (K), ±5% (J)
INSULATION RESISTANCE	C < 0.33 MFD. R ≥ 15,000 MEGOHM
	C ≥ 0.33 MFD. RC ≥ 5,000 MEGOHM X MFD
DISSIPATION FACTOR	≤ .01 (at 1 KHz)
DIELECTRIC STRENGTH	150% of rated voltage for 5 seconds



* 2mm max. for > 20mm
* 1.5mm max. for ≤ 20mm



STANDARD PRODUCTS AND CASE SIZE TABLE (UNIT: mm)

VDC	250 VDC					400 VDC					630 VDC				
	L	H	T	S	dø	L	H	T	S	dø	L	H	T	S	dø
0.01						13.0	9.0	4.5	10.0	0.6	13.0	11.5	6.5	10.0	0.6
0.015						13.0	9.5	4.5	10.0	0.6	13.0	11.5	6.5	10.0	0.6
0.022						13.0	10.0	5.0	10.0	0.6	13.0	11.5	6.5	10.0	0.6
0.033	13.0	10.0	5.5	10.0	0.6	13.0	10.5	5.5	10.0	0.6	18.0	11.5	6.5	15.0	0.7
0.047	13.0	10.0	5.5	10.0	0.6	14.0	13.5	6.5	10.0	0.7	18.0	12.5	6.5	15.0	0.7
0.068	13.0	10.0	5.5	10.0	0.6	16.0	14.0	6.5	13.5	0.7	18.0	13.0	7.5	15.0	0.7
0.1	13.0	11.5	6.5	11.5	0.6	16.0	14.0	8.0	13.5	0.87	18.0	14.5	8.5	15.0	0.7
0.15	13.0	11.5	6.5	11.5	0.6	18.0	14.5	8.0	15.0	0.7	26.0	14.5	8.5	22.5	0.8
0.22	14.0	12.0	6.5	11.5	0.6	26.0	15.0	8.0	22.5	0.8	26.0	16.5	10.0	22.5	0.8
0.33	18.0	12.5	6.5	16.5	0.7	26.0	15.0	8.0	22.5	0.8	31.5	17.5	11.0	27.5	0.8
0.47	19.0	14.0	8.5	16.5	0.7	26.0	17.0	9.95	22.5	0.8	31.5	19.5	12.0	27.5	0.8
0.68	19.0	15.0	8.5	16.5	0.7	31.5	18.0	10.5	27.5	0.8					
1.0	26.0	16.0	9.0	22.5	0.8	31.5	20.0	12.0	27.5	0.8					
1.5	31.5	17.0	10.0	27.5	0.8										
2.2	31.5	19.0	11.5	27.5	0.8										
3.3	31.5	23.0	14.0	27.5	0.8										
4.7	31.5	27.0	16.0	27.5	0.8										

Please inquire about special sizes available.